

TMT  [®]
Tanks & Trailers

Una storia lunga 50 anni

TMT Tanks & Trailers basa la sua produzione su tre valori fondamentali: Prodotto, Persone, Passione.

Da questo fondamento nasce la determinazione di creare prodotti senza rivali, tramite la ricerca di materiali di alta qualità, elevati controlli di sicurezza, eccellente e accurata lavorazione per dare ai nostri Clienti il massimo del profitto.

Le nostre linee di prodotto sono:

- Semirimorchi moving floor
- Autobotti
- Container moving floor
- Portacontainer
- Impianti di misurazione e pompaggio petrolifero
- Impianto di trasferimento rifiuti

Il nostro motto? *TMT... Tanks & Trailers Creators.*

Creiamo da zero il prodotto che il cliente desidera!

A story 50 years long

TMT Tanks & Trailers bases its production on three fundamental values: Product, People, Passion.

From this foundation comes the determination to create unrivaled products, through the search for high quality materials, high security controls, excellent and accurate workmanship to give our Customers maximum profit.

Our product lines are:

- Semitrailers moving floor
- Tanks
- Containers moving floor
- Container chassis
- Oil measuring and pumping plants
- Waste transfer system

Our motto? *TMT... Tanks & Trailers Creators.*

We create the product the customer wants from scratch!



Une histoire de 50 ans

TMT Tanks & Trailers base sa production sur trois valeurs fondamentales
Produit, Personnes, Passion.

C'est sur cette base qu'est née la détermination de créer des produits sans égal, à travers la recherche de matériaux de haute qualité, de contrôles de sécurité élevés, d'un travail excellent et soigné pour donner à nos Clients le maximum de profit.

Nos gammes de produits sont:

- Semi-remorques moving floor
- Camions-citernes
- Container moving floor
- Porte-containers
- Stations de mesure et de pompage de pétrole
- Installation de transfert de déchets

Notre devise? *TMT... Tanks & Trailers Creators.*

Nous créons à partir de zéro le produit souhaité par le client!

50 Jahre zu Diensten unserer Kunden

TMT Tanks & Trailers gründet seine Produktion auf drei grundlegende Werte:
Produkt, Personen, Leidenschaft.

Auf dieser Grundlage entsteht der starke Wille unvergleichliche Produkte herzustellen, mit Hilfe der Suche nach Materialien höchster Qualität, hoher Sicherheitsstandards, außerordentlicher und genauster Verarbeitung, um unseren Kunden den größten Profit zu ermöglichen.

Unsere Produktlinien sind:

- Schubboden moving floor
- Tankwagen
- Container moving floor
- Containerträger
- Mess- und Pumpanlagen für Erdöl
- Abfalltransportanlage

Unser Motto? *TMT... Tanks & Trailers Creators.*

Wir bauen das Produkt, das der Kunde möchte, von Grund auf neu!



I nostri prodotti: vasta gamma

Diversi prodotti per diversi utilizzi, per garantire la massima flessibilità, qualità, affidabilità ed efficienza.

Conchiglia MF Standard	4
Conchiglia MF porte laterali 3.4	6
Conchiglia MF porte laterali 6.3	8
Conchiglia MF porte lat. 6.3+6.3 ..	10
Scrigno MF	12
Conchiglia Frigo MF	14
Leakproof	16
Intermodale MF	18
Container MF	20
Swap Body	22
Profili	24
Optionals	25
Portacontainer	28
Cisterna Rifiuti	30
Cisterna Carburanti	31
Tanks	32
Impianti e servizi	34
Certificazioni e riconoscimenti	36

Our products: wide range

Different products for different uses, to ensure maximum flexibility, quality, reliability and efficiency.

Conchiglia MF Standard	4
Conchiglia MF side doors 3.4	6
Conchiglia MF side doors 6.3	8
Conchiglia MF side doors 6.3+6.3 ..	10
Scrigno MF	12
Conchiglia Refrigerator MF	14
Leakproof	16
Intermodale MF	18
Container MF	20
Swap Body	22
Profiles	24
Optionals	25
Container Chassis	28
Waste Tank	30
Fuel Tank	31
Tanks	32
Plants and services	34
Certifications and Recognitions	36

Nos produits: large gamme

Différents produits pour différentes utilisations, pour garantir la flexibilité, qualité, fiabilité et efficacité maximales.

Unsere Produkte: Große Auswahl

Unterschiedliche Produkte für unterschiedliche Verwendungszwecke, um maximale Flexibilität, Qualität, Zuverlässigkeit und Effizienz zu gewährleisten.





Conchiglia MF Standard

Semirimorchi / Moving floor

___ **Utilizzo:** ✓ Rifiuti ✓ Raccolta e conferimento CDR ✓ Plastica ✓ Carta (sia sfusi che imballati) ✓ Umido ✓ Indifferenziata ✓ Agricolo ✓ Forestale ✓ Riciclaggio ✓ Segatura ✓ Cippato ✓ Cereali ✓ Big Bag ✓ Fieno ✓ Foraggi ✓ Tuberi ✓ 33 europallet

___ **Use:** ✓ Waste ✓ Collection and transfer RDF ✓ Plastic ✓ Paper (both loose and packed) ✓ Wet ✓ Undifferentiated ✓ Agricultural ✓ Forestry ✓ Recycling ✓ Sawdust ✓ Woodchips ✓ Cereals ✓ Big Bag ✓ Hay ✓ Forages ✓ Tubers ✓ 33 europallets

___ **Utilisation:** ✓ Déchets ✓ Collecte et livraison des CDD ✓ Plastique ✓ Papier (en vrac et emballés) ✓ Humide ✓ Non différencié ✓ Agricole ✓ Forestier ✓ Recyclage ✓ Sciure ✓ Copeaux de bois ✓ Céréales ✓ Big Bag ✓ Foin ✓ Fourrage ✓ Tubercules ✓ 33 europallettes

___ **Gebrauch:** ✓ Abfälle ✓ Sammlung und Übertragung KAA ✓ Plastik ✓ Papier (unverpackt oder verschnürt) ✓ Biomüll ✓ Restmüll ✓ landwirtschaftlicher Abfall ✓ Waldabfälle ✓ Recycling ✓ Sägespäne ✓ Hackschnitzel ✓ Korn ✓ Big Bag ✓ Heu ✓ Grünfutter ✓ Knollenfrüchte ✓ 33 Europaletten

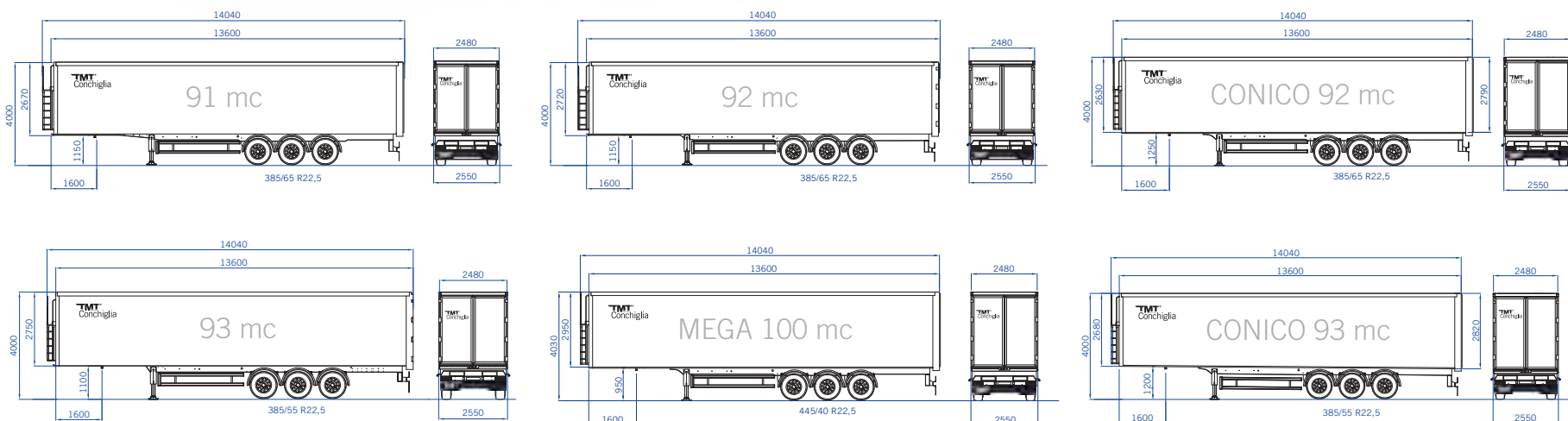


Conchiglia E00

Weight (kg)	7300
Chassis and load-bearing structure	Self-supporting steel chassis with aluminium box bolted to the frame
Total weight (kg)	40000 / 45000
Suspensions	Air suspensions HALDEX, WABCO / tridem SAF, ROR, JOST, BPW
Moving floor system	Cargo Floor® System
Floor	21 or 24 alu profiles 6-8-10 mm
Walls	30 mm aluminium extruded profiles

Conchiglia E60

Weight (kg)	7400
Chassis and load-bearing structure	Continuous steel chassis, aluminium box bolted to the frame
Total weight (kg)	40000 / 45000
Suspensions	Air suspensions HALDEX, WABCO / tridem SAF, ROR, JOST, BPW
Moving floor system	Cargo Floor® System
Floor	21 or 24 alu profiles 6-8-10 mm
Walls	30 mm aluminium extruded profiles



Conchiglia MF porte laterali 3.4

Semirimorchi / Moving floor

___ **Utilizzo:** ✓ Rifiuti ✓ Raccolta e conferimento CDR ✓ Plastica ✓ Carta (sia sfusi che imballati) ✓ Umido ✓ Indifferenziata ✓ Agricolo ✓ Forestale ✓ Riciclaggio ✓ Segatura ✓ Cippato ✓ Cereali- Big Bag ✓ Fieno ✓ Foraggi ✓ Tuberi ✓ Carico e Scarico Colli ✓ Corpi Indivisibili ✓ Pallet ✓ Cassoni ✓ Pannelli ✓ Profilati ✓ 33 europallet

___ **Use:** ✓ Waste ✓ Collection and transfer RDF ✓ Plastic ✓ Paper (both loose and packed) ✓ Wet ✓ Undifferentiated ✓ Agricultural ✓ Forestry ✓ Recycling ✓ Sawdust ✓ Woodchips ✓ Cereals ✓ Big Bag ✓ Hay ✓ Fodder ✓ Tubers ✓ Loading and Unloading Packages ✓ Bodies Indivisible ✓ Pallets ✓ Boxes ✓ Panels ✓ Profiles ✓ 33 europallets

___ **Utilisation:** ✓ Déchets ✓ Collecte et livraison des CDD ✓ Plastique ✓ Papier (en vrac et emballés) ✓ Humide ✓ Non différencié ✓ Agricole ✓ Forestier ✓ Recyclage ✓ Sciure ✓ Copeaux de bois ✓ Céréales ✓ Big Bag ✓ Foin ✓ Fourrage ✓ Tubercules- Chargement et déchargement de colis ✓ Corps indivisibles ✓ Palettes ✓ Caissons ✓ Panneaux ✓ Profilés ✓ 33 europalettes

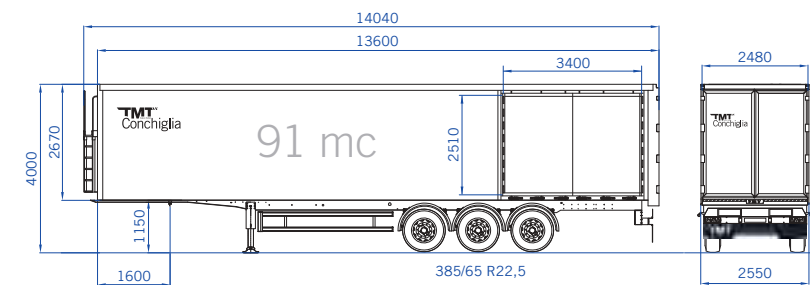
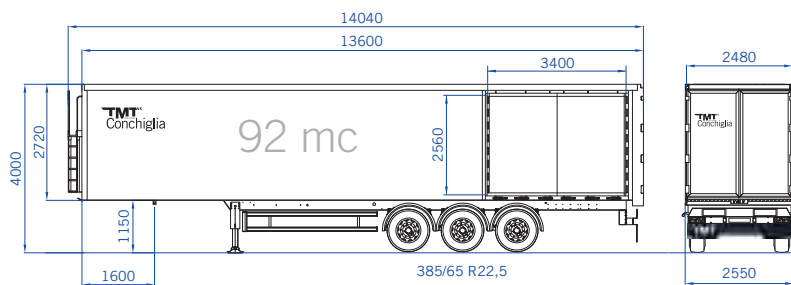
___ **Gebrauch:** ✓ Abfälle ✓ Sammlung und Übertragung KAA ✓ Plastik ✓ Papier (unverpackt und verschnürt) ✓ Biomüll ✓ Restmüll ✓ landwirtschaftlicher Abfall ✓ Waldabfälle ✓ Recycling ✓ Sägespäne ✓ Hackschnitzel ✓ Korn ✓ Big Bag ✓ Heu ✓ Grünfutter ✓ Knollenfrüchte ✓ Laden- und Entladen von Packstücken ✓ unteilbare Gegenstände ✓ Paletten ✓ Kasten ✓ Platten ✓ Profile ✓ 33 Europaletten

Conchiglia E00

Weight (kg)	7500
Chassis and load-bearing structure	Self-supporting steel chassis with aluminium box bolted to the frame
Total weight (kg)	40000 / 45000
Suspensions	Air suspensions with HALDEX, WABCO tridem SAF, ROR, JOST, BPW
Moving floor system	Cargo Floor® System
Floor	21 or 24 alu profiles 6-8-10 mm
Walls	30 mm aluminium extruded profiles

Conchiglia E60

Weight (kg)	7500
Chassis and load-bearing structure	Continuous steel chassis, aluminium box bolted to the frame
Total weight (kg)	40000 / 45000
Suspensions	Air suspensions with HALDEX, WABCO tridem SAF, ROR, JOST, BPW
Moving floor system	Cargo Floor® System
Floor	21 or 24 alu profiles 6-8-10 mm
Walls	30 mm aluminium extruded profiles



Conchiglia MF porte laterali 6.3

Semirimorchi / Moving floor

___ **Utilizzo:** ✓ Rifiuti ✓ Raccolta e conferimento CDR ✓ Plastica ✓ Carta (sia sfusi che imballati) ✓ Umido ✓ Indifferenziata ✓ Agricolo ✓ Forestale ✓ Riciclaggio ✓ Segatura ✓ Cippato ✓ Cereali- Big Bag ✓ Fieno ✓ Foraggi ✓ Tuberi ✓ 33 europallet

___ **Use:** ✓ Waste ✓ Collection and transfer RDF ✓ Plastic ✓ Paper (both loose and packed) ✓ Wet ✓ Undifferentiated ✓ Agricultural ✓ Forestry ✓ Recycling ✓ Sawdust ✓ Woodchips ✓ Cereals ✓ Big Bag ✓ Hay ✓ Forages ✓ Tubers ✓ 33 europallets

___ **Utilisation:** ✓ Déchets ✓ Collecte et livraison des CDD ✓ Plastique ✓ Papier (en vrac et emballés) ✓ Humide ✓ Non différencié ✓ Agricole ✓ Forestier ✓ Recyclage ✓ Sciure ✓ Copeaux de bois ✓ Céréales ✓ Big Bag ✓ Foin ✓ Fourrage ✓ Tubercules ✓ 33 europallettes

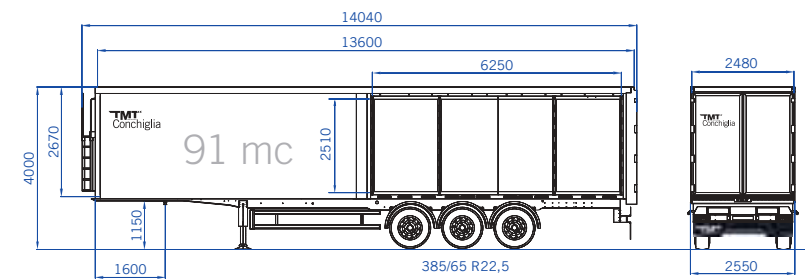
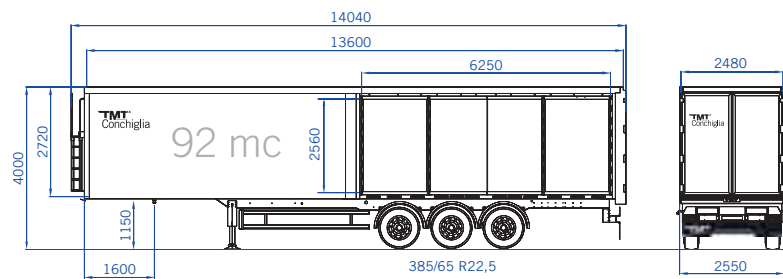
___ **Gebrauch:** ✓ Abfälle ✓ Sammlung und Übertragung KAA ✓ Plastik ✓ Papier (unverpackt oder verschnürt) ✓ Biomüll ✓ Restmüll ✓ landwirtschaftlicher Abfall ✓ Waldabfälle ✓ Recycling ✓ Sägespäne ✓ Hackschnitzel ✓ Korn ✓ Big Bag ✓ Heu ✓ Grünfutter ✓ Knollenfrüchte ✓ 33 Europaletten

Conchiglia E00

Weight (kg)	7500
Chassis and load-bearing structure	Self-supporting steel chassis with aluminium box bolted to the frame
Total weight (kg)	40000 / 45000
Suspensions	Air suspensions HALDEX, WABCO / tridem SAF, ROR, JOST, BPW
Moving floor system	Cargo Floor® System
Floor	21 or 24 alu profiles 6-8-10 mm
Walls	30 mm aluminium extruded profiles

Conchiglia E60

Weight (kg)	7600
Chassis and load-bearing structure	Continuous steel chassis, aluminium box bolted to the frame
Total weight (kg)	40000 / 45000
Suspensions	Air suspensions HALDEX, WABCO / tridem SAF, ROR, JOST, BPW
Moving floor system	Cargo Floor® System
Floor	21 or 24 alu profiles 6-8-10 mm
Walls	30 mm aluminium extruded profiles



Conchiglia MF porte laterali 6.3+6.3 Semirimorchi / Moving floor

___ **Utilizzo:** ✓ Rifiuti ✓ Raccolta e conferimento CDR ✓ Plastica ✓ Carta (sia sfusi che imballati) ✓ Umido ✓ Indifferenziata ✓ Agricolo ✓ Forestale ✓ Riciclaggio ✓ Segatura ✓ Cippato ✓ Cereali- Big Bag ✓ Fieno ✓ Foraggi ✓ Tuberi ✓ 33 europallet

___ **Use:** ✓ Waste ✓ Collection and transfer RDF ✓ Plastic ✓ Paper (both loose and packed) ✓ Wet ✓ Undifferentiated ✓ Agricultural ✓ Forestry ✓ Recycling ✓ Sawdust ✓ Woodchips ✓ Cereals ✓ Big Bag ✓ Hay ✓ Forages ✓ Tubers ✓ 33 europallets

___ **Utilisation:** ✓ Déchets ✓ Collecte et livraison des CDD ✓ Plastique ✓ Papier (en vrac et emballés) ✓ Humide ✓ Non différencié ✓ Agricole ✓ Forestier ✓ Recyclage ✓ Sciure ✓ Copeaux de bois ✓ Céréales ✓ Big Bag ✓ Foin ✓ Fourrage ✓ Tubercules ✓ 33 europallettes

___ **Gebrauch:** ✓ Abfälle ✓ Sammlung und Übertragung KAA ✓ Plastik ✓ Papier (unverpackt oder verschnürt) ✓ Biomüll ✓ Restmüll ✓ landwirtschaftlicher Abfall ✓ Waldabfälle ✓ Recycling ✓ Sägespäne ✓ Hackschnitzel ✓ Korn ✓ Big Bag ✓ Heu ✓ Grünfutter ✓ Knollenfrüchte ✓ 33 Europaletten

Conchiglia E60 Light

Weight (kg)	8100
Chassis and load-bearing structure	Continuous steel chassis, aluminium box bolted to the frame
Total weight (kg)	40000 / 45000
Suspensions	Air suspensions with HALDEX, WABCO tridem SAF, ROR, JOST, BPW
Moving floor system	Cargo Floor® System
Floor	21 or 24 alu profiles 6-8-10 mm
Walls	30 mm aluminium extruded profiles

Conchiglia E110 Heavy

Weight (kg)	8700
Chassis and load-bearing structure	Continuous steel chassis, aluminium box bolted to the frame
Total weight (kg)	40000 / 45000
Suspensions	Air suspensions with HALDEX, WABCO tridem SAF, ROR, JOST, BPW
Moving floor system	Cargo Floor® System
Floor	21 or 24 alu profiles 6-8-10 mm
Walls	30 mm aluminium extruded profiles